

TS-XENPAK-ZR

10Gbps XENPAK Optical Transceiver, 80km Reach

Features

- XENPAK MSA Compliant
- 70-PIN connector
- SC duplex receptacle package
- 1550nm Cooled EA-DFB and APD-PD
- Power supply: +5.0 V, +3.3 V, APS:+1.2 V
- Power Dissipation 3.5W Maximum
- 0°C to 70°C Operating Case Temperature
- Digital Diagnostic Monitoring
- Management and control with MDIO 2-wire bus
- XAUI electrical interface 4 x 3.125 Gb/s Ethernet
- ≤40km ER (Extended Range) 10GBE
- RoHS6 compliant and lead free



Applications

- 10 Gb/s Ethernet transmission systems

Absolute Maximum Ratings^{*Note}

Parameter	Symbol	Min	Max	Unit
Supply Voltage Range @ 3.3V	V _{cc3}	-0.5	4.0	V
Adaptable Power Supply(APS)	V _{APS}	0	1.5	V
Operating Relative Humidity	RH		80	%
Storage Temperature	T _s	-40	+85	°C

Note: Exceeding any one of these values may destroy the device permanently.

Recommended Operating Conditions

Parameter	Symbol	Min	Typical	Max	Unit
Operating Case Temperature	T _c	0		+70	°C
Power Supply Voltage @ 3.3V	V _{CC3}	3.14	3.3	3.47	V
Adaptable Power Supply (APS)	V _{APS}	1.152	1.2	1.248	V
Power Dissipation	PD		3.5	4	W

Optical Interface

Parameter	Symbol	Min	Typical	Max	Unit
Transmitter Characteristics					
Operating Range				40	Km
Operating Data Rate			10.3125		Gb/s
Optical Transmit Power	P _o	0		4	dBm
Optical Transmit Power (disabled)	P _{tx-dis}			-40	dBm
Input Centre Wavelength	λ	1530		1565	nm
SMSR.	SWSR	30			dB
Extinction Ratio	ER	8.2			dB
Eye Mask	IEEE 802.3ae Compliant				
Receiver Characteristics					
Input Operating Wavelength	λ	1260		1600	nm
Average receive power	P _{avg}	-23		-7	dBm
Maximum Input Power	RX-overload	-7			dBm
Reflectance	R _{rx}			-27	dB

XAUI I/O Characteristics ^{*Note}

Parameter	Symbol	Min	Typical	Max	Unit	Notes
XAUI Data Rate	DR		3.125		Gb/s	
XAUI Baud Rate		-100		+100	ppm	Relative Tolerance
Differential Input Voltage Swing		220		1600	mv	8B/10B Coded Input Signal
Differential Output Voltage Swing		800		1600	mVp-p	RLOAD = 100Ω ± 5%
Differential Input Impedance		80	100	120	Ω	
Total Output Jitter	TJ _{XAUI}			0.35	UI	no pre-equalization
Total Deterministic Output Jitter	DJ _{XAUI}			0.17	UI	no pre-equalization

Note: XAUI-input-Lanes and XAUI-output-Lanes are both ac-inputs.

MDIO Interface
DC Characteristics

Characteristic	Condition	Symbol	Minimum	Maximum	Unit
Input high voltage		V_H	0.84	1.5	V
Input low voltage		V_L	-0.3	0.36	V
MDIO Input current	MMD Driver in tri-state	I_{MDIO}	-10	8	pA
MDC Input current		I_{MDC}	-5	5	pA
Output low voltage	IOL= 100pA	V_{OL}	-0.3		V
	IOL= 4mA	V_{OL}		0.2	V
Output high voltage	RPULL-Up = 357Ω ±1% VPULL-Up =1.14~1.5V	V_{OH}	1.136	1.5	V
Output low current	VI = 0.2V	I_{OL}	4		mA
MDIO Input capacitance	VI = 0~1.5V	Cin		10	pF

Pin Descriptions

Pin No.	Name	Dir	Function	Note
1	GND		Electrical Ground	1
2	GND		Electrical Ground	1
3	GND		Electrical Ground	1
4	5.0V		Power	2
5	3.3V		Power	2
6	3.3V		Power	2
7	APS =1.2V		Adaptive Power Supply	2
8	APS =1.2V		Adaptive Power Supply	2
9	LASI		Open Drain Compatible 10K-22K pull up on host. Logic High: Normal Operation Logic Low : LASIAsserted	3
10	RESET	I	Open Drain compatible. 10-22K pull-up on transceiver Logic high = Normal operation Logic low = Reset Minimum reset assert time 1 ms	3
11	VEND SPECIFIC		Vendor Specific Pin. Leave unconnected when not in use.	6
12	TX ON/OFF	I	Open Drain compatible. 10-22K pull-up on transceiver Logic high = Transmitter On (capable) Logic low = Transmitter Off (always)	3
13	RESERVED		Reserved	3
14	MOD DETECT	O	Pulled low inside module through 1k	
15	VEND SPECIFIC		Vendor Specific Pin.	6

			Leave unconnected when not in use.	
16	VEND SPECIFIC		Vendor Specific Pin. Leave unconnected when not in use.	6
17	MDIO	I/O	Management Data IO	3,4
18	MDC	I	Management Data Clock	3,4
19	PRTAD4	I	Port Address Bit 4 (Low = 0)	3
20	PRTAD3	I	Port Address Bit 3 (Low = 0)	3
21	PRTAD2	I	Port Address Bit 2 (Low = 0)	3
22	PRTAD1	I	Port Address Bit 1 (Low = 0)	3
23	PRTAD0	I	Port Address Bit 0 (Low = 0)	3
24	VEND SPECIFIC		Vendor Specific Pin. Leave unconnected when not in use.	6
25	APS SET		Feedback input for APS	
26	RESERVED		Reserved for Avalanche Photodiode use.	6
27	APS SENSE		APS Sense Connection	
28	APS =1.2V		Adaptive Power Supply	2
29	APS =1.2V		Adaptive Power Supply	2
30	3.3V		Power	2
31	3.3V		Power	2
32	5.0V		Power	2
33	GND		Electrical Ground	1
34	GND		Electrical Ground	1
35	GND		Electrical Ground	1
36	GND		Electrical Ground	1
37	GND		Electrical Ground	1
38	RESERVED		Reserved	
39	RESERVED		Reserved	
40	GND		Electrical Ground	1
41	RX LANE0+	O	Module XAUI Output Lane 0+	5
42	RX LANE0-	O	Module XAUI Output Lane 0-	5
43	GND		Electrical Ground	1
44	RX LANE1+	O	Module XAUI Output Lane 1+	5
45	RX LANE1-	O	Module XAUI Output Lane 1-	5
46	GND		Electrical Ground	1
47	RX LANE2+	O	Module XAUI Output Lane 2+	5
48	RX LANE2-	O	Module XAUI Output Lane 2-	5
49	GND		Electrical Ground	1
50	RX LANE3+	O	Module XAUI Output Lane 3+	5
51	RX LANE3-	O	Module XAUI Output Lane 3-	5
52	GND		Electrical Ground	1
53	GND		Electrical Ground	1
54	GND		Electrical Ground	1
55	TX LANE0+	I	Module XAUI Output Lane 0+	5
56	TX LANE0-	I	Module XAUI Output Lane 0-	5
57	GND		Electrical Ground	1

58	TX LANE1+	I	Module XAUI Output Lane 1+	5
59	TX LANE1-	I	Module XAUI Output Lane 1-	5
60	GND		Electrical Ground	1
61	TX LANE2+	I	Module XAUI Output Lane 2+	5
62	TX LANE2-	I	Module XAUI Output Lane 2-	5
63	GND		Electrical Ground	1
64	TX LANE3+	I	Module XAUI Output Lane 3+	5
65	TX LANE3-	I	Module XAUI Output Lane 3-	5
66	GND		Electrical Ground	1
67	RESERVED		Reserved	
68	RESERVED		Reserved	
69	GND		Electrical Ground	1
70	GND		Electrical Ground	1

Notes:

- 1) Ground connections are common for TX and RX.
- 2) All connector contacts are rated at 0.5A nominal.
- 3) 1.2V CMOS compatible.
- 4) MDIO and MDC timing must comply with IEEE802.3ae, Clause 45.3
- 5) XAUI output characteristics should comply with IEEE802.3ae Clause 47.
- 6) Transceivers will be MSA compliant when no signals are present on the vendor specific pins.

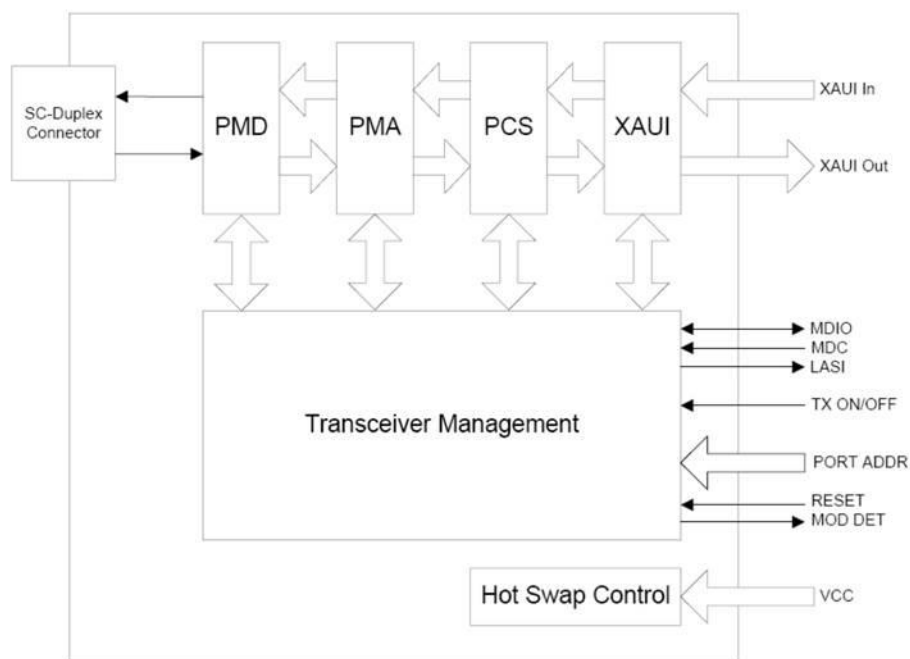


Figure1. Functional Diagram of Typical XENPAK Style Transceiver

Electrical Pad Layout

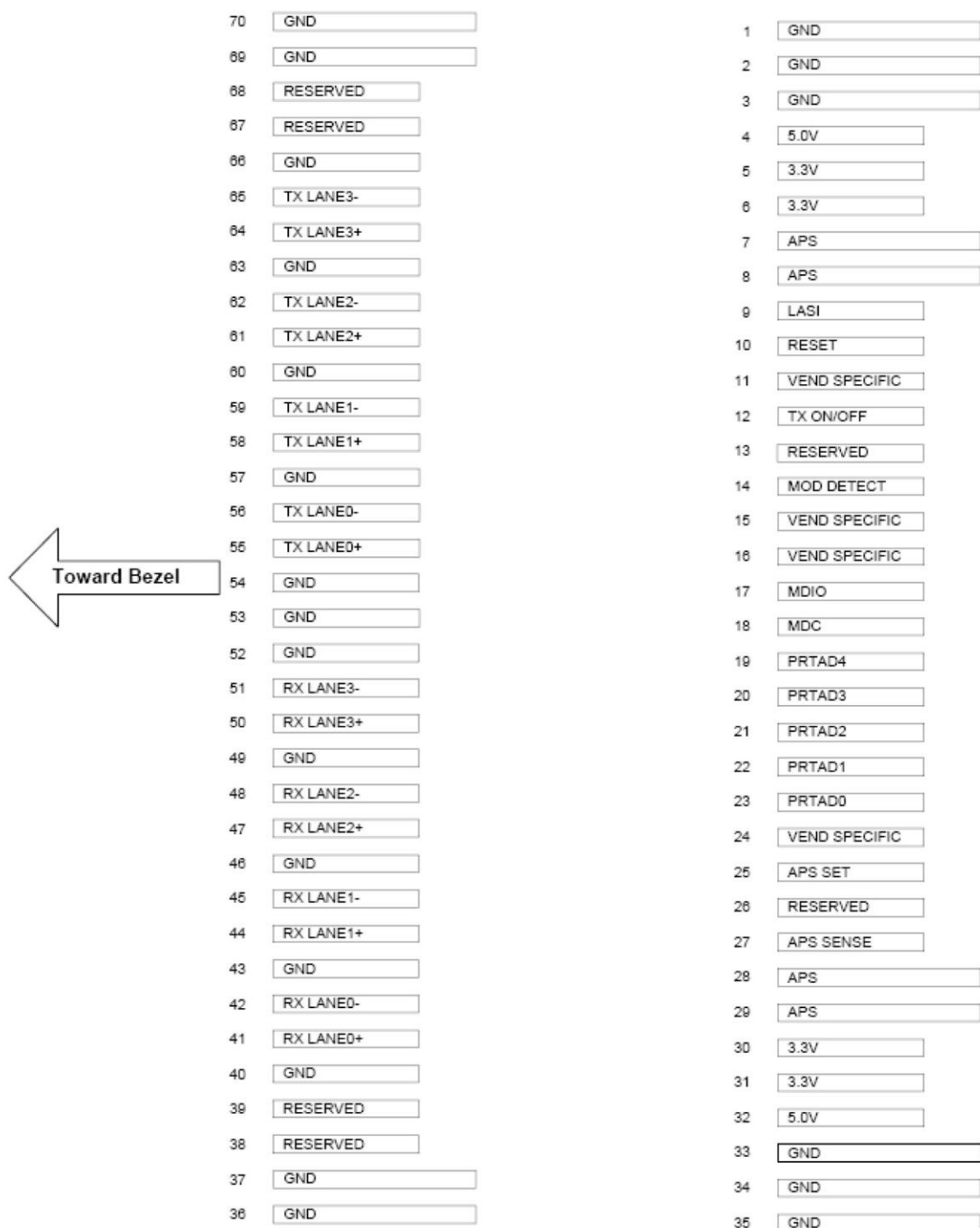
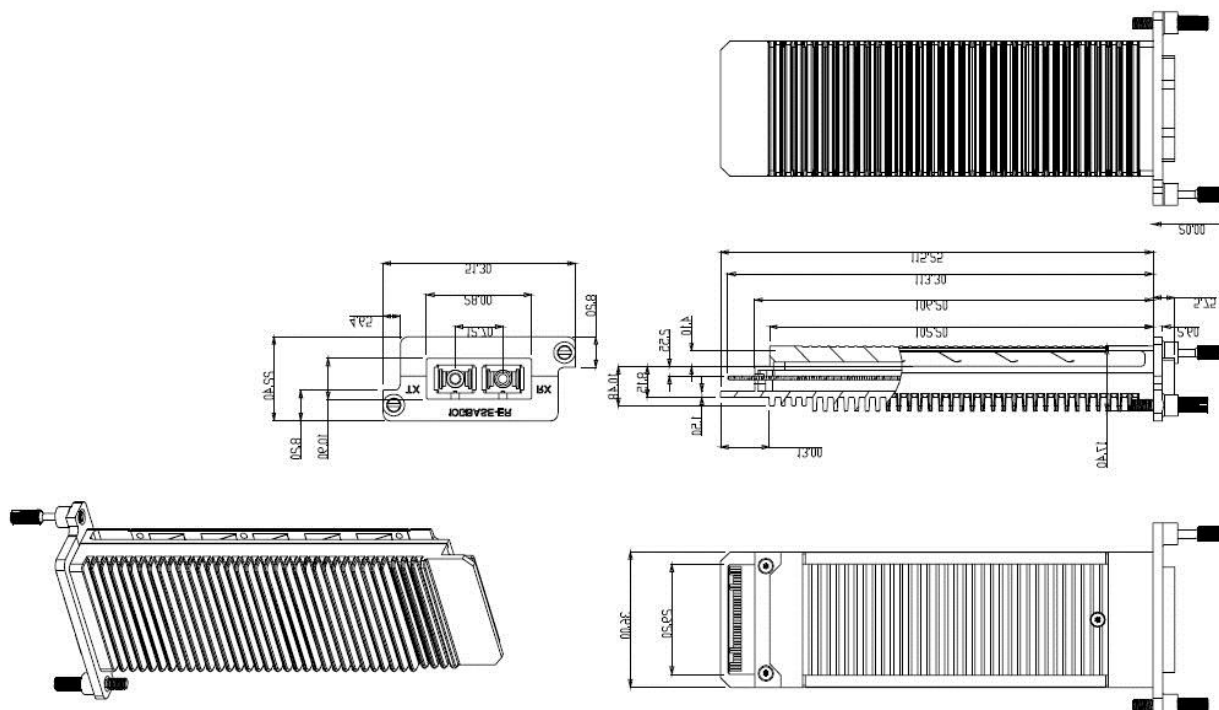


Figure2.Electrical Pin-out Details

Package Dimensions

Regulatory Compliance

Feature	Standard	Performance
Electrostatic Discharge (ESD) to the Electrical Pins	MIL-STD-883G Method 3015.7	Class 1C (>1000 V)
Electrostatic Discharge to the enclosure	EN 55024:1998+A1+A2 IEC-61000-4-2 GR-1089-CORE	Compliant with standards
Electromagnetic Interference (EMI)	FCC Part 15 Class B EN55022:2006 CISPR 22B :2006 VCCI Class B	Compliant with standards Noise frequency range: 30 MHz to 6 GHz. Good system EMI design practice required to achieve Class B margins. System margins depend on customer host board and chassis design.
Immunity	EN 55024:1998+A1+A2 IEC 61000-4-3	Compliant with standards. 1kHz sine-wave, 80% AM, from 80 MHz to 1 GHz. No effect on transmitter/receiver performance is detectable between these limits.
Laser Eye Safety	FDA 21CFR 1040.10 and 1040.11 EN (IEC) 60825-1:2007 EN (IEC) 60825-2:2004+A1	CDRH compliant and Class I laser product. TüV Certificate No. 50135086

Component Recognition	UL and CUL EN60950-1:2006	UL file E317337 TüV Certificate No. 50135086 (CB scheme)
RoHS6	2002/95/EC 4.1&4.2 2005/747/EC 5&7&13	Compliant with standards ^{*note}

Note:

In light of item 5 in RoHS exemption list of RoHS Directive 2002/95/EC, Item 5: Lead in glass of cathode ray tubes, electronic components and fluorescent tubes.

In light of item 13 in RoHS exemption list of RoHS Directive 2005/747/EC, Item 13: Lead and cadmium in optical and filter glass. The three exemptions are being concerned for TONGSION's transceivers, because TONGSION's transceivers use glass, which may contain Pb, for components such as lenses, isolators, and other electronic components.

Ordering information

Part Number	Product Description
TS-XENPAK-ZR	1550nm, 10Gbps, SC, 80km, 0°C~+70°C, With DDM

Important Notice

Performance figures, data and any illustrative material provided in this data sheet are typical and must be specifically confirmed in writing by TONGSION before they become applicable to any particular order or contract. In accordance with the TONGSION policy of continuous improvement specifications may change without notice.

The publication of information in this data sheet does not imply freedom from patent or other protective rights of TONGSION or others. Further details are available from any TONGSION sales representative.

Contact:

sales@tongsion.com

<http://www.tongsion.com>